

ESA Technology 6501 Master IO Module

- **General purpose Ethernet I/O modules**
- **Easily networks to ESA Technology 5000 Family Intelligent Interfaces**
- **Compatible with any Modbus master device**

Communications

- 10Base-T Modbus TCP (10/100 opt)
- Static / DHCP Addressing
- 1 RS232 Modbus RTU Interfaces
- Multiple TCP/IP connections allowed

6501 Master I/O Module

- 16 Optically-Isolated Digital Inputs
 - 24V Sink or Source
 - 4 Independent Commons
- 2 Counter Channel on Inputs 0 and 1, 20KHz Bandwidth
- 16 Optically Isolated Digital Outputs
 - 24V Sourcing Outputs
 - 1/2A Continuous Per Point
- Short circuit overtemp & undervoltage protection with error status bit
- Watch-Dog Protection

Power

- 18V to 30V DC
- Support for Additional IO Modules via High Speed Local Network

Physical

- All I/O on pluggable screw terminals
- Dimensions: 3W x 5.75L x 2H
- DIN rail mounting standard
- Plastic and metal housing



SPECIFICATIONS

6501 Master I/O Module - 16 Digital Input
 - 16 Digital Output
 - 2 Counter Inputs
 All I/O optically isolated

OTHER I/O MODULES 6510 16 digital inputs (sink/sourcing)
 6520 16 digital outputs (sourcing)
 6530 Analog In/Out

ETHERNET PORT 10baseT (RJ45) TCP/IP Modbus
 10/100 baseT optional

SERIAL PORT 1 RS232 Modbus RTU port

HOUSING Rear housing is plastic
 Front plate is stainless steel.
 DIN rail mount

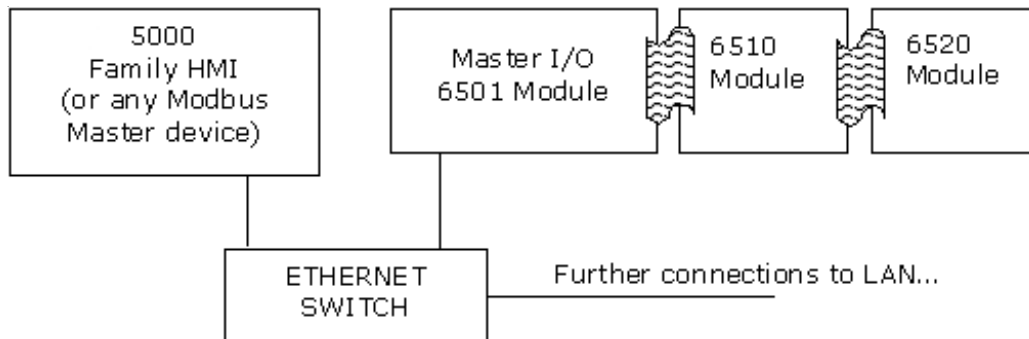
POWER 18 - 30 VDC, 20W

ENVIRONMENT 0 to 50 C - Operating
 -20 to +60 C - Storage
 5% to 95% RH, non-condensing

DIMENSIONS 3"W x 5.6"L x 2"H

WEIGHT 1 lb (2.8kg)

TYPICAL INSTALLATION (note expansion modules are mix/match and can be in any order)



ESA Technology, Inc

7975 Cameron Drive, Bldg 300, Windsor CA 95492
 Tel. 707-837-0120 Fax 707-837-2742
<http://www.esatechnology.com>, e-mail: info@esatechnology.com

Copyright 2003, ESA Technology, Inc. All rights reserved.
 Specifications subject to change without notice.

