

# ESA Technology 6510 Input Module

- General purpose I/O module with 16 digital inputs (sinking/sourcing)
- Easily networks ESA Technology 5000 Family Intelligent Interfaces
- For use in conjunction with 6501 Master I/O module for networking to Modbus master devices

## Communications

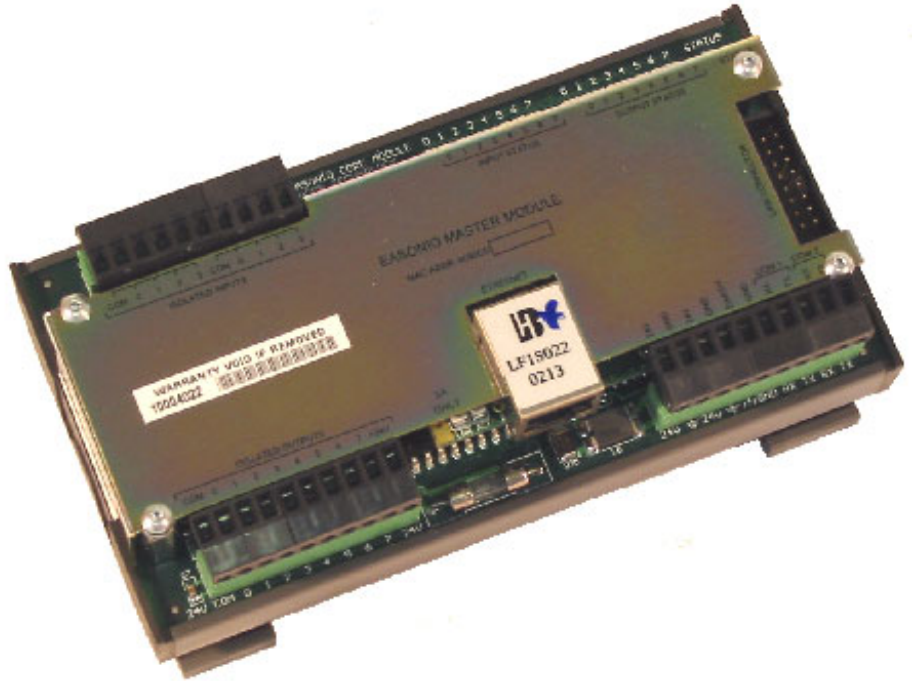
- Networks back to ESA Tech 6501 Master I/O Module via high speed local network
- Access to I/O is through Modbus registers in the Master I/O module
- Support for Additional IO Modules via High Speed Local Network

## I/O

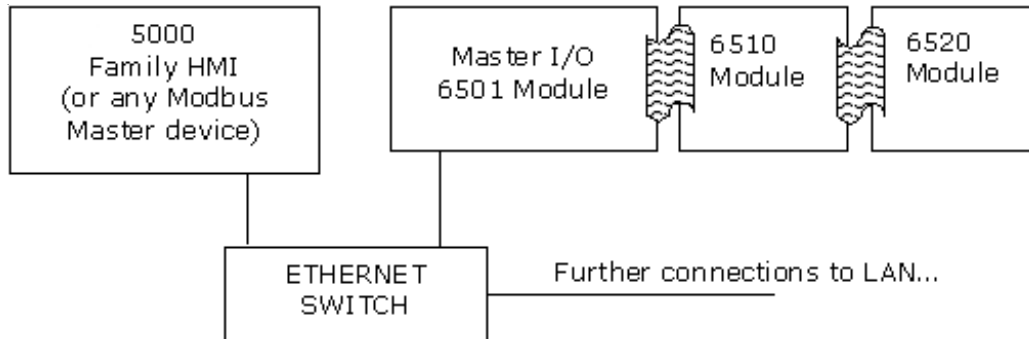
- 16 Optically-Isolated Digital Inputs
  - 24V Sink or Source
  - 4 Independent Commons

## Physical

- All I/O on pluggable screw terminals
- Dimensions: 3W x 5.75L x 2H
- DIN rail mounting standard
- Plastic and metal housing



## Typical Installation



# SPECIFICATIONS

**6510 I/O Module** 16 Digital Input (sinking or sourcing)  
All I/O optically isolated

**HOUSING** Rear housing is plastic  
Front plate is stainless steel.  
DIN rail mount

**OTHER I/O MODULES** 6520 16 digital outputs (sourcing)  
6530 12 Analog In / 4 Out

**POWER** Provided by network connection to master module.

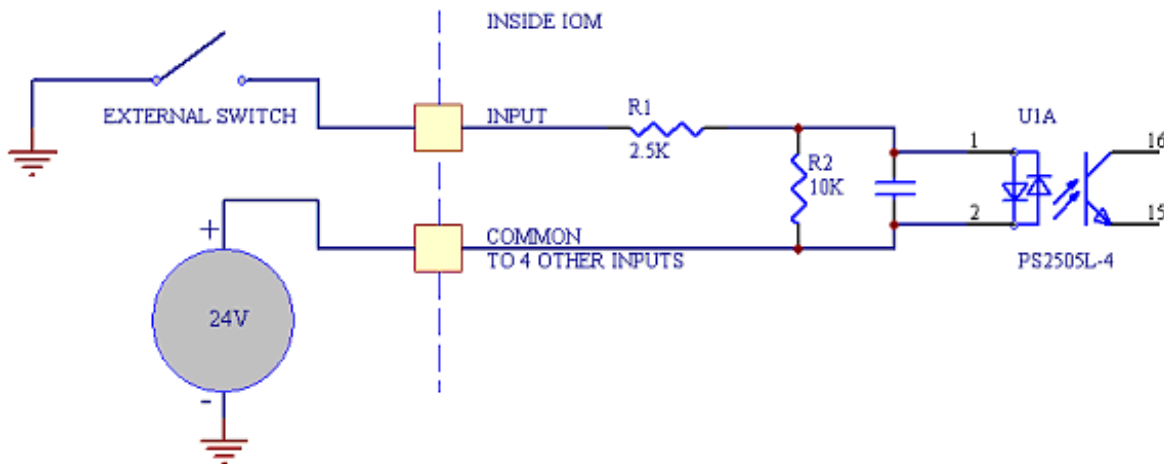
**ENVIRONMENT** 0 to 50 C - Operating  
-20 to +60 C - Storage  
5% to 95% RH, non-condensing

**DIMENSIONS** 3"W x 4.0"L x 2"H

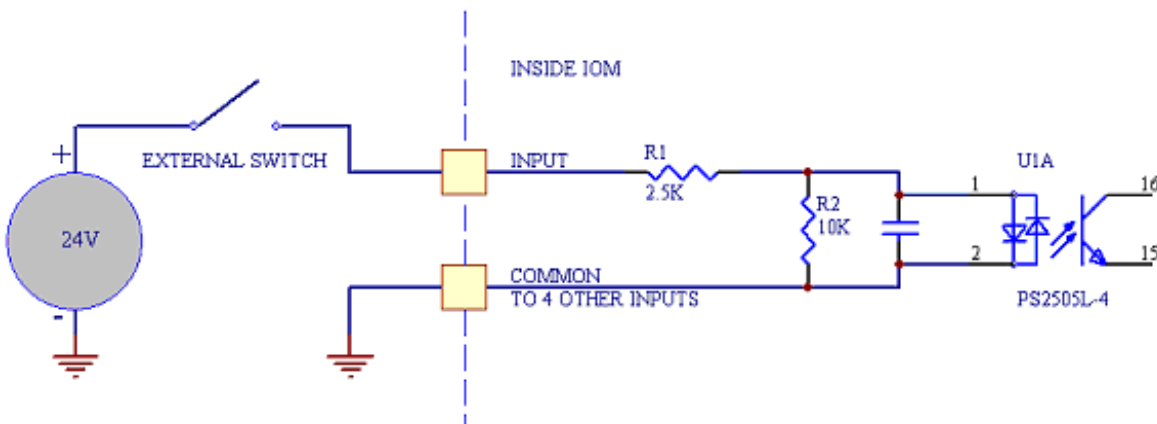
**WEIGHT** 1 lb (2.8kg)

## EXAMPLE WIRING DIAGRAMS

### Sinking Inputs



### Sourcing Inputs



## ESA Technology, Inc

7975 Cameron Drive, Bldg 300, Windsor CA 95492

Tel. 707-837-0120 Fax 707-837-2742

<http://www.esatechnology.com>, e-mail: [info@esatechnology.com](mailto:info@esatechnology.com)